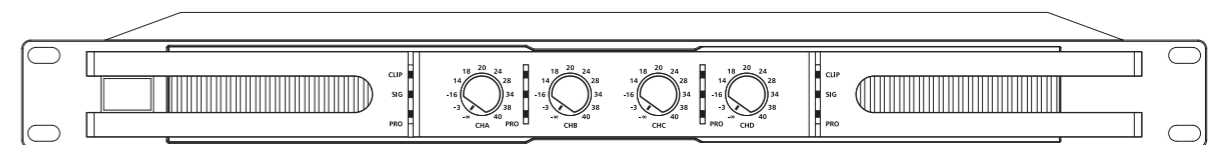


User's Manual

SWITCHING POWER PROFESSIONAL AMPLIFIER

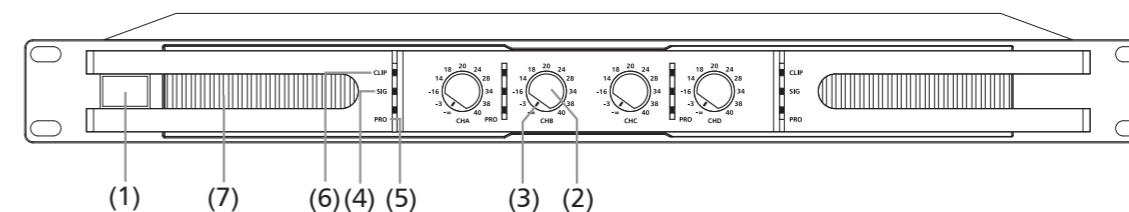


Technical Specifications

Output Power (100V line)	one channel drive	150W*2
	all channel drive	135W*4
Output Power (70V line)	one channel drive	150W*2
	all channel drive	135W*4
Input sensitivity	0.9-1.1V (0+/-1dBV)	
Input Impedance	20kΩ (balanced) 10kΩ (unbalanced)	
Frequency response	100 Hz - 15 kHz	
Voltage gain (100V)	40 dB	
THD+N	<0.1%	
S/N rate	>95 dB	
Crosstalk	>70dB	
Damping factor	>200	
Power output circuitry	Switching power, Class-D	
Power supply	AC 110-240V, 50/60 Hz	
Protections	Short circuit, open circuit, thermal, ultrasonic and RF	
Connectors	INPUT & OUTPUT: Euroblock	
Controls	Front: AC switch, Input level control for each channel Rear: 70V/100V selector	
Indicators	SIGNAL: green LED CLIP: red LED POWER: green LED PROTECTION: red LED PRIOR:green/red LED	
Dimensions (WxHxD)	483x44x360 (mm)	
Weight	5.4 kg	

Control Element

FRONT PANEL



1. Power Switch

It switches ON/OFF the unit main power.

2. Level Control

These volume controls allow you to adjust the volume level.

3. Power/Prior LED

The Green LED light up when the amplifier power on.
The Red LED light up when the amplifier input priority.

4. Signal LED

These green LEDs light up when the respective channel's output signal pass through.

5. Protection LED

In normal operation, the LED will not illum; If the LED turns red, it means the unit is in heat protection without sound output. The speaker system is actually disconnected from the amplifier outputs when this LED is red, the temperature must be reduced by good ventilation and the signal level decreased etc.

If the problem is resolved. the protection output systems will deactivate automatically, and normal amplifier operation is resumed.

6. Clip LED

This red LED lights up when the input signal is too strong. it is time to reduce input level until clip LED turn off.

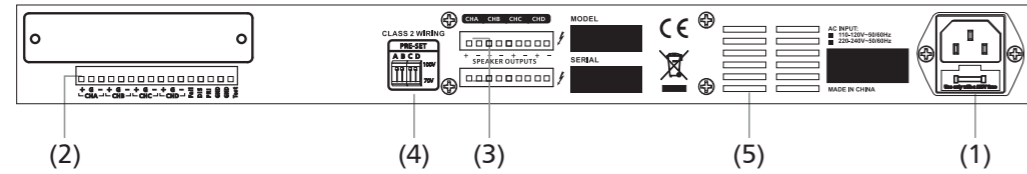
7. Air Intake Vents

The unit employ a variable speed internal cooling fan to intake the air through front grill to keep it running cool even under extreme operating conditions.

Please keep these vents clear and free from obstruction at all times to insure proper cooling.

Control Element

REAR PANEL



1. AC Input

Use it to connect your unit to the supplied AC cord.

2. Euroblock input

CH A +: CHA balanced signal input+ or unbalanced signal input

CH A G: CHA signal GND

CH A -: CHA balanced signal input- or unbalanced signal not connect

CH B, CH C and CH D are the same

Fail: Failure Status output:

Failure Status with +5V high level; disabled/protection/inactive are all with output low level.

DIS: Amplifier disabled, input control PIN

While Amplifier is operating disabled with +5V high level, linked to GND, the amplifier will be shutdown and with all protection LEDs lighting, at this moment failure status from +5V high level(normal state) turn into low level (amplifier disabled or not connected).

Using this amplifier disabled function and then connect speaker output, and amplifier start again after finishing connection.

PRI: Input Priority Control PIN

When PRI connect to GND directly, MTEST input has priority, at this moment VR RED LEDs lighting.

GND: signal GND and control GND

TEST: Input Priority test/alarm signal

When PRI connect to GND directly, Test/alarm signal will reach the top priority level.

3. Euroblock Output

Connect the amplifier to your speakers using these Euroblock.

4. Operation mode switch

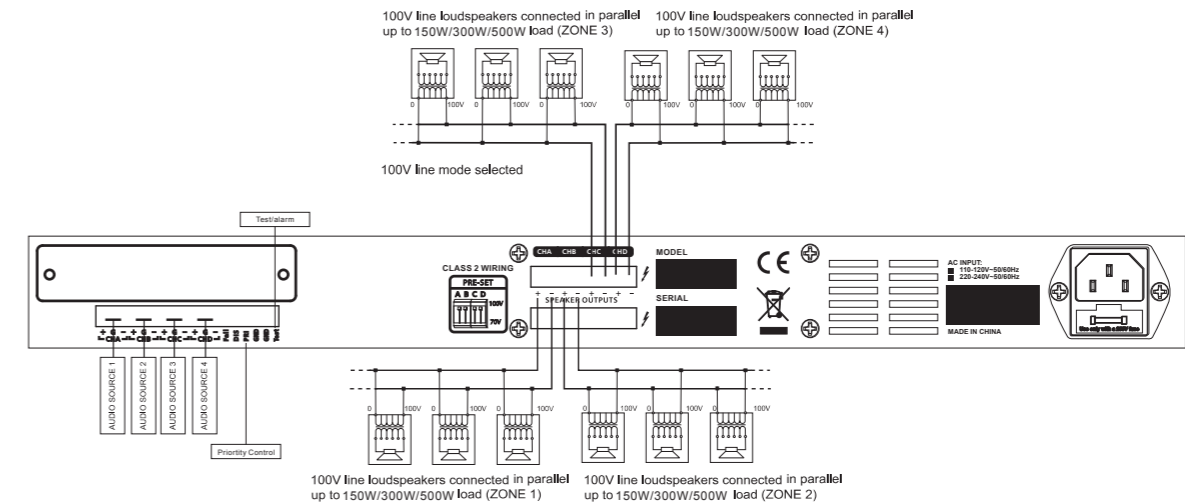
Select the operation mode (70V or 100V) on each channel moving the dip-switches to the desired position.

5. Exhaust Vents


Air is drawn from front grilles, flowing through the unit and heat sink, and then exhausted via the rear vents. Do not block or impede the air flow through these vents and keep the vents areas free of foreign materials.

Applications

This is a connection example. Thanks to it 4-channel/2-channel design, it is possible to separate 4 or 2 zones with different audio sources or to use the same audio on all zones.



SEIKAKU TECHNICAL GROUP LIMITED

客 戶	TOPP PRO						
料 號	NF05244						
品 名	說明書- 英文						
規 格	HVA SERIES兩無_V1.0						
公司機種(客戶機種)成品料號	HVA4.150						
重 量/ 基 數	0.02KG/1						
材 質	NH00149 2:1						
紙張展開性質	<input checked="" type="checkbox"/> A3 <input type="checkbox"/> A4 <input type="checkbox"/> A5 <input type="checkbox"/> 其它					紙張展開數量	4
核 准		審 核		校 稿		製 稿	
產品文件編號:							
陽片數量: 8 張							